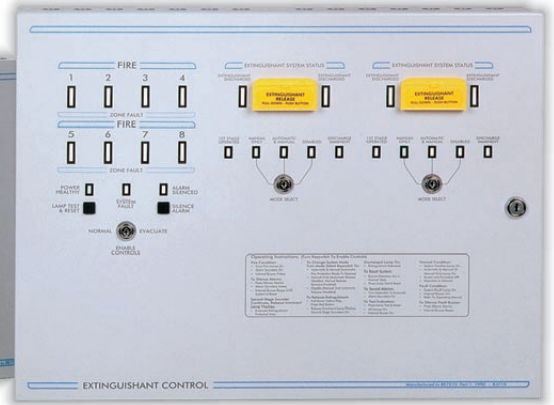


Series K4.01

K4.01 Multi-Area Extinguishant Control Panels

The many variants available in the K4.01 range of Multi-Area Extinguishant Control Panels allow almost any combination of detection zones and extinguishant outputs to be realised using standard readily available modules.

4 Zone Single Area (K9704103)



Multi Zone, Multi Area (K9708205)



Extinguishant Control Unit (E9700101)

Features

- Complies with EMC directive
- Complies with low voltage directive 72/23/EEC
- 2 selectable discharge durations
- 3 position mode select (Auto/Manual, Manual, Disable)
- 4 selectable time delays
- 'Any 2 from (x)' capability
- Extensive internal fault diagnosis indication
- 'Single knock' switch selectable
- On-site configuration for use with intrinsically safe barriers
- Remote control, silence, reset and alarm inputs
- Selectable pulsing or continuous second stage alarm output
- Through 'Metron' actuator or solenoid monitoring
- Volt free first and second stage contacts with isolate facility
- Zero time delay on manual release option
- Zonal volt free contacts
- Zonal isolate facility
- Compatible with most popular conventional detectors

Product Overview

- Any number of detection zones can contribute to any number of extinguishant outputs as required. Many combinations of logic functions can be easily configured by selecting the appropriate jumper links.
- The detection circuitry is from the well established K 3000 range retaining all of its many facilities as well as having inter-changeable circuit boards.
- Standard panels are available with four, eight and twelve detection zones and with up to six extinguishant outputs. All the extinguishant outputs have a dedicated status and control section on the front panel with Mode Select, Disable and Manual Release functions for each.
- The range includes a series of Extinguishant Coincidence Units (ECUs) which have no detection zones. These units can accommodate address modules for control via addressable detection systems, or inputs can be taken from existing detection systems. All ECUs have dedicated status and controls for each area as per the control panels.
- All equipment in the K4.01 range includes an integral power supply/battery charger and battery space for 24 hour standby.
- To complement the panels, a full range of Extinguishant System Status Units is available. These include 3, 4 and 5 way indicator units with and without controls. A remote 'Extinguishant Hold Off' push button unit is also available.
- Full details available on Status Unit Data Sheet (DS12 - page 58)

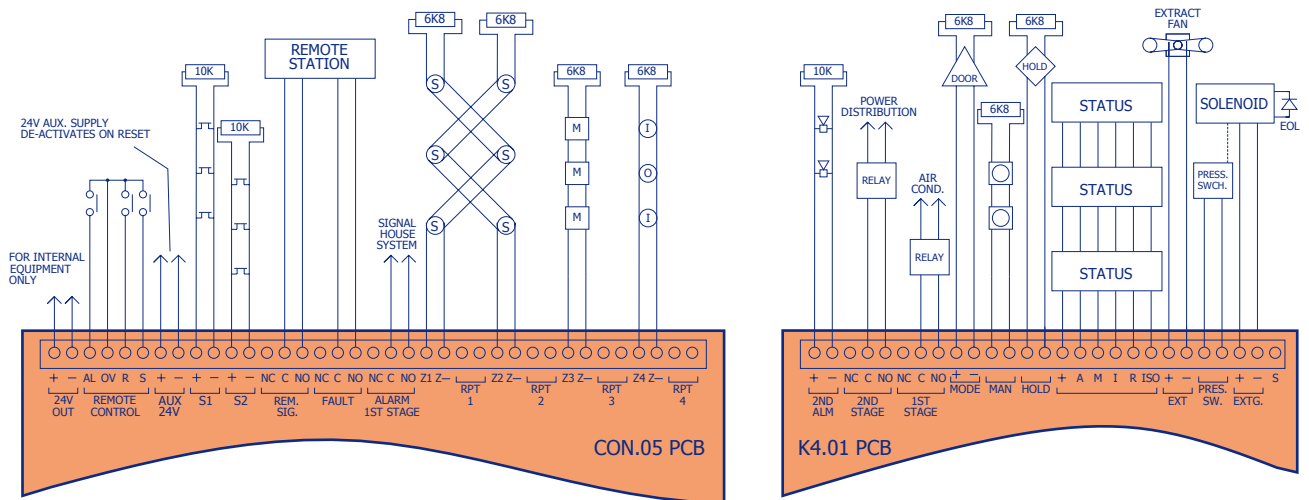


Specifications

DS08.12.2006

- Construction - 1.2mm fully welded sheet steel
- Finish - epoxy powder coat
- Standard colour - 2 tone grey or cream & brown
- First stage sounder outputs - 2 outputs each fused at 1 Amp
- Second stage sounder outputs - fused at 500mA
- Delay time - 4, 32, 64 or 128 seconds
- Extinguishant circuit output - fused at 1 Amp
- Auxiliary DC output - fused at 500mA (250mA max.)
- Status unit output - current limited (3 status units max. 120mA)
- Alarm contact (silenceable) - volt free changeover 1A at 30V DC
- Remote signal contact - volt free changeover 1A at 30V DC
- First stage contact - volt free changeover 1A at 30V DC
- Second stage contact - volt free changeover 1A at 30V DC
- Common fault contact - volt free changeover 1A at 30V DC
- Zonal (repeat) contacts - volt free normally open 1A at 30V DC
- All monitored inputs - 470R = trigger
- Detection line voltage - 26V DC (40mA max)
- Detection line quiescent current - 1.6mA max. per zone
- Detection circuit EOL - 6k8
- Sounder circuit EOL - 10k
- Remote control inputs - Alarm (option for pulsed alarm input)
Silence and Reset via volt free normally open contact
- Mains supply - 230V AC (other voltages available on request)
- Mains fuse - 3 Amp
- Operating temperature - -5°C to +50°C
- Operating humidity - to 95% (non condensing)

Flush mounting versions are available to order, see Price Guide



Panels

Product Code	Zones	Areas	Standby Current	Alarm Current	Minimum Battery (24h standby)	PSU	Weight (approx)	Size (mm)
K9704103*	4	1	0.16A	0.49A	7.0Ah	4.0A	8.0kg	500 x 355 x 108
K9704205	4	2	0.23A	0.72A	8.0Ah	4.0A	11.0kg	570 x 420 x 110
K9708105	8	1	0.18A	0.51A	7.0Ah	4.0A	11.0kg	570 x 420 x 110
K9708205	8	2	0.25A	0.74A	8.0Ah	4.0A	11.5kg	570 x 420 x 110
K9708206*	8	3	0.32A	1.06A	12.0Ah	10.0A	22.5kg	600 x 700 x 140
K9708407*	8	4	0.39A	1.38A	17.0Ah	10.0A	23.0kg	600 x 700 x 140
K9712105	12	1	0.20A	0.53A	7.0Ah	4.0A	11.5kg	570 x 420 x 110
K9712207	12	2	0.27A	0.76A	12.0Ah	4.0A	12.0kg	600 x 700 x 140
K9712307*	12	3	0.34A	1.08A	12.0Ah	10.0A	23.0kg	600 x 700 x 140
K9712407*	12	4	0.41A	1.40A	17.0Ah	10.0A	23.5kg	600 x 700 x 140
K9712509	12	5	0.48A	1.72A	17.0Ah	10.0A	28.0kg	700 x 1000 x 145
K9712609	12	6	0.55A	2.04A	17.0Ah	10.0A	28.5kg	700 x 1000 x 145
E9700101	single area firing unit		0.14A	0.25A	4.0Ah	2.5A	6.5kg	365 x 290 x 88

Care should be taken to consider the likely loading on the equipment when ordering
* These panel configurations are available with smaller power supplies, see Price Guide



Certificate No. FM 32987
BS EN ISO 9001: 2000



Certificate No. 360
BS EN ISO 9001: 2000