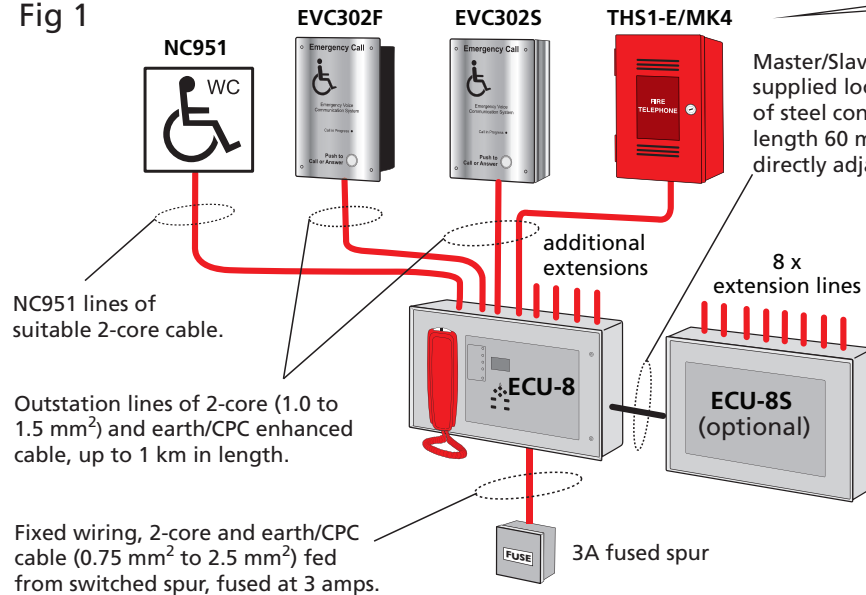


THIS GUIDE IS FOR EXPERIENCED INSTALLERS ONLY and summarises key information provided in the full manual (Document No. DAU0000081). Page numbers, e.g. Pg11 refer to the full manual. Networked systems are not included in this guide.

## SigTEL EVCS Wiring Overview

Fig 1



SigTEL EVCS Components	
Part No.	Description
ECU-8	8-line Master EVC Control Unit c/w line cards, handset and LCD
ECU-8S	8-line Slave EVC Expansion Unit (expands ECU-8 to 16 lines)
EVC302F	Disabled Refuge (Type B) Outstation, handsfree, duplex, flush mounted
EVC302S	Disabled Refuge (Type B) Outstation, handsfree, duplex, surface mounted
THS1-E/MK4	Fire Telephone (Type A) Outstation c/w red steel case, handset & key
THS1-ET/MK4	Fire Telephone (Type A) Outstation c/w red steel case, handset & T-Bar
BF359/1	Weatherproof enclosure for EVC302F
BF359/3D	Stainless steel enclosure for ECU-8
NC951	Disabled Persons Toilet Alarm (DPTA)
FITT	EVC Telephone Line Tester
BC286/2	24 V, 7 Ah battery used with ECU-8
AFP385	Grey flush bezel for ECU-8 or ECU-8S
T-BEZ	Red flush bezel for THS1-E/MK4 and THS1-ET/MK4

## Install the EVCS

### Location Pg11

Site all equipment indoors in well-lit areas, free from obstruction. If background noise exceeds 40 dB, use an acoustic hood. Site control unit(s) in the control room or lobby, 1.4 metre above final floor level (FFL). Fit Type A (fire telephone) outstations in fire fighting lobbies and fire access points, 1.3 to 1.4 metres above FFL. Fit type B (disabled refuge) outstations in disabled refuges, 0.9 to 1.0 metre above FFL.

### Mounting Pg12

Remove base PCBs before first fix installation to protect them and expose the base mounting holes. Wall mount the control units, either surface or semi-flush. Fix the base securely onto a wall using No.8 round-head, or countersunk screws. If an optional ECU-8S is fitted make the interconnections to the ECU-8 using supplied looms and short length of steel conduit (25 mm OD, max. length 60 mm).

After mounting, remove any dust/swarf and re-install base PCBs. Ensure all connecting looms are refitted correctly; ECU-8 internal connections are B to B, C to C. ECU-8 to ECU-8S (optional) is A to A, D to B.

## Wiring and Cable Entry Pg7

See Fig 1 above for cable types. Install all wiring in accordance with the current edition of the IEE Wiring Regs (BS 7671), or relevant national standards. Use enhanced fire-rated cables from control equipment to outstations and suitable 2-core cable to NC951 system.

## Test Extension Lines Pg19

Test all lines for faults before terminating extension lines to the ECU-8/ECU-8S. In addition, test outstation lines using a FITT telephone line tester (see component list above).

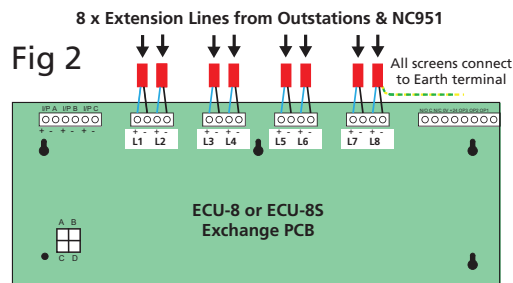
**CAUTION: DO NOT use an Insulation Resistance Tester (Megger) with any devices connected as they will be destroyed.**

## Fit Outstations & NC951 Interface Pg18

See Fig 1 above for cable types. Max. recommended cable distance to outstations is 1 km, beyond which audio quality may degrade. For wiring and connection details refer to Type A outstation instructions (Doc. No. DAU0000001) and Type B outstation instructions (Doc. No. DAU0302000).

## Connect Extension Lines to the Control Equipment Pg19

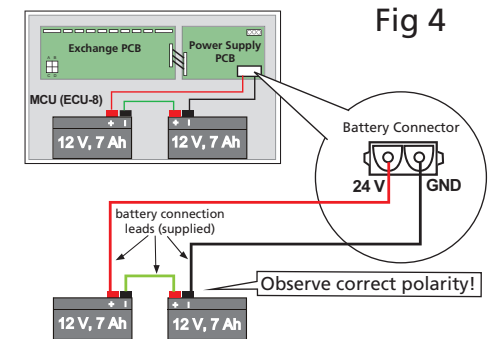
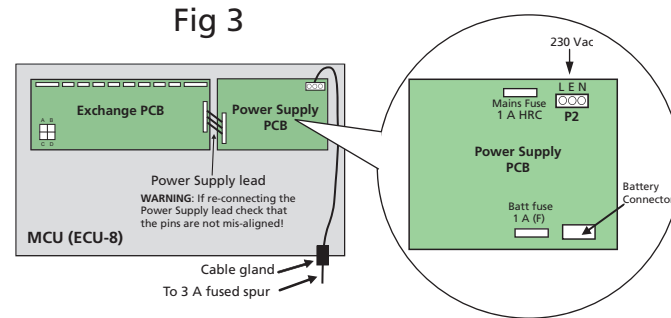
Do not connect extension lines to the ECU-8, or optional ECU-8S, until they have been tested, fault-free and suitable cable glands fitted. Connect extension lines directly to the Exchange PCB (see Fig 2 left). Connect screens to the earth terminal in the back of the enclosure.



## Connecting Mains Pg17 and Batteries Pg23

See Fig 1 overleaf for mains cable type. Connect a suitable 230 Vac supply to the ECU-8 via the base knockouts. Terminate the mains cable at the Power Supply PCB (plug P2) and NOT to main earth chassis (see Fig 3 right).

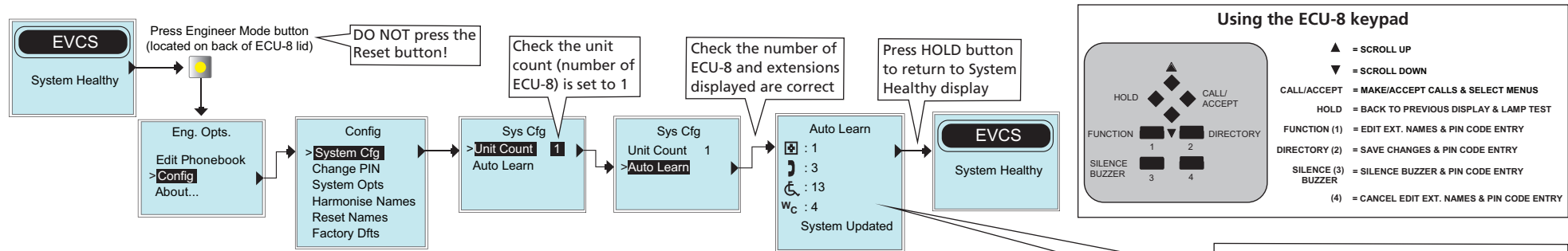
For the emergency standby power supply, only use good quality, sealed VRLA batteries. Position and connect two 12 V, 7 Ah batteries to the ECU-8 using the supplied battery connection leads (see Fig 4 far right).



## Commission the EVCS

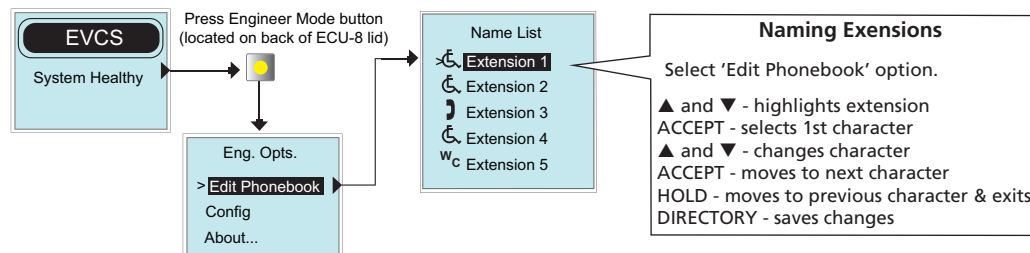
Before commissioning the system ensure that all equipment is fully installed, connected and wiring tested. Check all handsets are on-hook, toilet alarms are cleared/reset and the ECU-8 shows 'System Healthy' status at its LCD display. Configure the system by following the flow chart below.

### Configure the system Pg24



### Check audio quality and interactively name extensions Pg27

At the ECU-8, with the handset on-hook select the 'Edit Phonebook' option by following the flow chart below. With an operator at the ECU-8, go to each outstation in turn and make a call. At the ECU-8 lift the handset and press the ACCEPT button. The outstation's channel is opened for speech and automatically selected for editing. Check audio quality of the line and inform the operator at the ECU-8 your position. They can edit the outstation name directly (see Naming Extensions below). Repeat this process for all remaining outstations but to avoid confusion only call in from one outstation at a time. Outstations can also be manually named if you are sure of its location.



### Additional System Set up Features

Add/Remove Outstations & DPTA Pg27

Clear Recent Calls Pg31

Change Security PIN Code Pg29

Set up Auto-Answer Pg31

Set up Latch Faults Pg30

©Errors and omissions excepted. No responsibility can be accepted by the manufacturer or distributors of this product for any misinterpretation of this instruction, or for the compliance of the system as a whole. The manufacturer's policy is one of continuous improvement and we reserve the right to make changes to product specifications at our discretion and without prior notice.