

# Banshee<sup>MT</sup> Multi-Tone Sounders



**DATASHEET**

**VIMPEX**

Shaping Alarm Technology

# Banshee<sup>MT</sup> Multi-Tone Sounders



The Banshee<sup>MT</sup> has been designed to replicate the performance of the existing Banshee and Bedlam sounders by building on their acoustic features and combining the two products into a single, 32-tone, fully compatible conventional sounder.

Not only does the Banshee<sup>MT</sup> contain all of the features of a market leading sounder that one has come to expect from the acoustic excellence of Hosiden Besson, but it has been developed with both eyes firmly on the expectations of the user, the architect, and the installer.

Easily installed with robust terminations and push and twist bayonet fitting, the Banshee<sup>MT</sup> has also been designed with aesthetics in mind. Radical looks and eye-catching design mean that the Banshee<sup>MT</sup> is as pleasing to the eye as it is acoustically competent.

With the Wafer<sup>MT</sup> Base Sounder also available in a 32-tone version, the slimmest sounder in its class is instantly compatible with the Banshee<sup>MT</sup>. Together, the MT range of sounders is the intelligent choice for acoustic devices.

## Banshee<sup>MT</sup>

- Industry leading sounder with enhanced aesthetics
- 32 user-selectable tones
- Designed to meet the requirements of EN 54 part 3
- Simple push and twist bayonet mounting with locking screw
- Easy to install with side and rear cable entry
- Robust 'two in two out' 2.5mm terminals
- Choice of three volume levels
- Very low current consumption
- Weatherproof deep base option
- Accessories include flush mounting bracket, flashing light bracket and mains pack - see separate Accessories datasheet

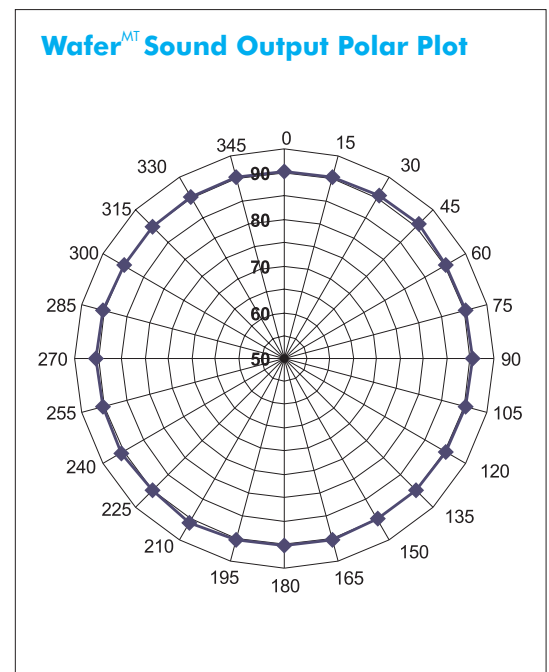
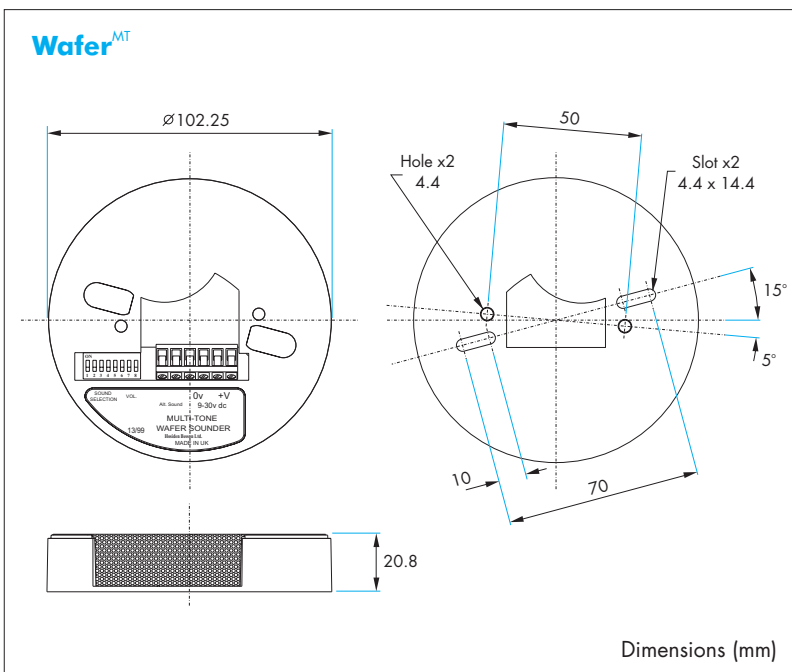
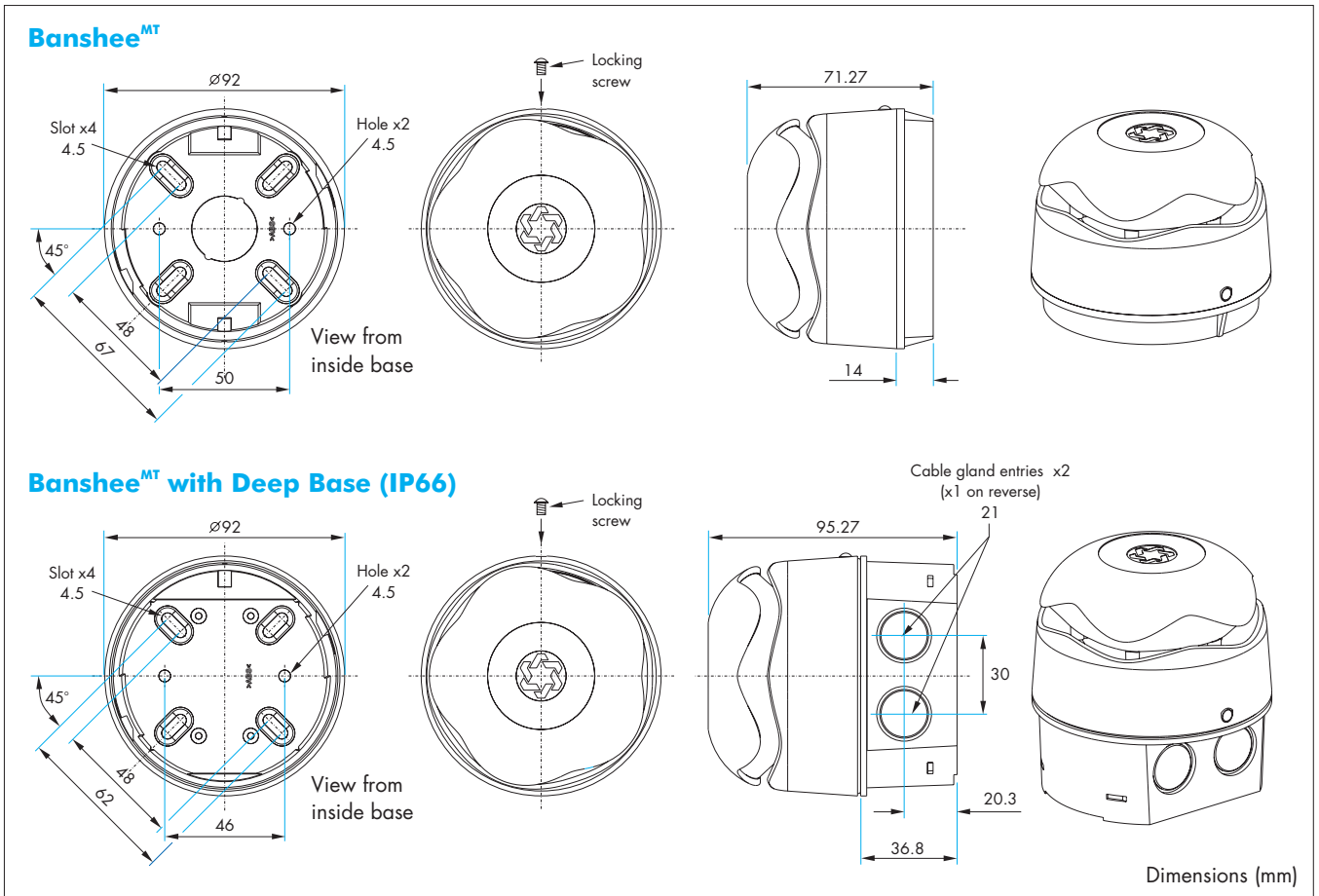


## Wafer<sup>MT</sup>

- 32 tones designed to be compatible with Banshee<sup>MT</sup>
- Slimmest profile in the industry
- Colours matched to leading detectors
- Omni-directional sound (see Polar Plot opposite)
- Low current consumption
- Choice of three volume levels
- Installer friendly terminals
- Suitable for ceiling or wall mounting
- Front plate for stand-alone use available
- Robust and easily connected 'two in two out' 2.5mm terminals
- Supplied with fixing screws



# Installation



# General Specification

Model	Banshee <sup>MT</sup>	Wafer <sup>MT</sup>
Colours available	Red, White & Grey	Various whites to match detectors
Temperature Range	-40 to +70°C	-40 to +70°C
Weatherproofing	IP45 or IP66	Internal use only
Volume control	Switched between - high, medium (-10dBA), low (-20dBA)	
Connections	Two 3 way terminal blocks for loop in/out wiring offering continuous override and dual signalling facility	

Note: Further manufacturers acoustic data can be downloaded from [www.vimpex.co.uk](http://www.vimpex.co.uk).

# Tone Specification

Tone Information		Banshee <sup>MT</sup> (12V)		Banshee <sup>MT</sup> (24V)		Wafer <sup>MT</sup> (12V)		Wafer <sup>MT</sup> (24V)	
		2nd Tone	dBa (Typ)	mA (Typ)	dBa (Typ)	mA (Typ)	dBa (Typ)	mA (Typ)	dBa (Typ)
No.	Description	Frequency and Timing							
1	Banshee LF Buzz	800Hz to 950Hz swept at 120Hz <sup>1</sup>	94	6	100	12	85	6	91
2	Banshee LF Fast Sweep	800Hz to 950Hz swept at 9Hz <sup>1</sup>	94	6	100	12	84	6	90
3	Banshee LF Slow Sweep	800Hz to 950Hz swept at 3Hz <sup>1</sup>	94	6	100	12	84	6	90
4	Banshee LF Continuous	Continuous at 850Hz <sup>1</sup>	95	6	101	12	84	6	90
5	Banshee LF Fast Sweep (New)	830Hz to 970Hz swept at 9Hz <sup>1</sup>	95	6	101	12	84	6	90
6	Medium Sweep LF	800Hz to 970Hz swept at 1Hz <sup>1</sup>	95	6	102	12	84	6	90
7	Continuous LF	Continuous at 970Hz <sup>1</sup>	97	4	103	12	84	7	90
8	Back Up Alarm LF	Intermittent at 950Hz 1s on, 1s off <sup>1</sup>	97	4	103	7	84	4	90
9	Alternate LF	Alternating 800Hz/1000Hz, 0.5s each sound <sup>1</sup>	94	8	101	14	84	7	90
10	Medium Sweep LF	800Hz to 1000Hz swept at 0.5s <sup>1</sup>	95	5	101	12	84	6	90
11	Alternate LF	Alternating Tones 800/950 at 3Hz <sup>1</sup>	96	6	103	14	84	7	90
12	Banshee/Bedlam HF Buzz	2400Hz to 2900Hz at 120Hz	102	12	110	25	90	15	96
13	Banshee/Bedlam HF Fast Sweep	2400Hz to 2900Hz at 9Hz	103	12	110	25	92	15	98
14	Banshee/Bedlam HF Slow Sweep	2400Hz to 2900Hz at 3Hz	103	12	110	25	90	15	96
15	Banshee/Bedlam HF Continuous	Continuous 2900Hz*	105	12	112	30	94	13	100
16	Banshee HF Fast Sweep (New)	2450Hz to 3100Hz swept at 9Hz	103	12	110	25	87	14	94
17	Back Up Alarm HF	Intermittent at 2900Hz 1s on, 1s off*	105	7	112	15	95	8	101
18	Alternate HF	Alternating Tones 2400/2900 at 3Hz	104	12	110	25	94	13	100
19	Slow Whoop	500Hz rising to 1200Hz over 3.5s, silence 0.5s, repeat	96	6	101	12	88	5	95
20	Din Tone (DK)	1200Hz falling to 500Hz over 1s, silence 10ms, repeat	93	6	101	14	87	5	93
21	French Fire Sound	554Hz for 100ms and 440Hz for 400ms	88	3	94	6	83	3	90
22	Australian Alert Signal	420Hz repeating 0.625s on, 0.625s off	96	6	103	12	88	5	94
23	Australian Evacuation Signal	500Hz to 1200Hz sweeping, 3.75s on, 0.25s off	96	3	103	6	84	4	90
24	US Temporal Tone LF	950Hz for 0.5s on 0.5s off, for 3 phases, silence for 1.5s & repeat	105	6	112	12	95	6	101
25	US Temporal Tone HF	2900Hz for 0.5s on 0.5s off, for 3 phases, silence for 1.5s & repeat*	81	4	87	7	86	3	92
26	Swedish Tone (Fire)	Intermittent 660Hz 150ms on, 150ms off	84	5	89	14	87	5	93
27	Swedish Tone (All Clear)	Continuous 660Hz	96	4	103	7	83	4	91
28	ISO8201 LF	Intermittent 970Hz 500ms on, 500ms off	106	8	112	15	95	8	101
29	ISO8201 HF	Intermittent 2900Hz 500ms on, 500ms off*	93	8	101	14	84	7	90
30	BT Banshee (PPT1063.1)	Yodel 800Hz/1000Hz, 0.25s each frequency <sup>1</sup>	95	8	102	17	84	8	90
31	BT Banshee (PPT1063.1)	Continuous 1000Hz <sup>1</sup>	96	8	101	17	80	6	87
32	Bell Tone	Bell Tone <sup>1</sup>							

\* For Wafer<sup>MT</sup> frequency is 2400Hz

<sup>1</sup> Tone meets frequency requirements of BS 5839 pt. 1 1988

## VIMPEX

Vimpex Ltd

Star Lane, Great Waking  
Essex, SS3 0PJ England.  
Tel: +44 (0) 1702 216999  
Fax: +44 (0) 1702 216699  
E-mail: [sales@vimpex.co.uk](mailto:sales@vimpex.co.uk)

[www.vimpex.co.uk](http://www.vimpex.co.uk)



We reserve the right to change or amend any design or specification in line with our policy of continuing development and improvement.

Part No: DS/BNSMT/ISS 4



## Other Products and Accessories

- Fire-Cryer<sup>®</sup> Voice Enhanced Sounders
- Fire Alarm Bells
- Beacons and Strobe Lights
- Sounder Accessories & Fire System Ancillaries
- Stopper Range of Vandal Deterrent Products
- Water Leakage Detection Systems